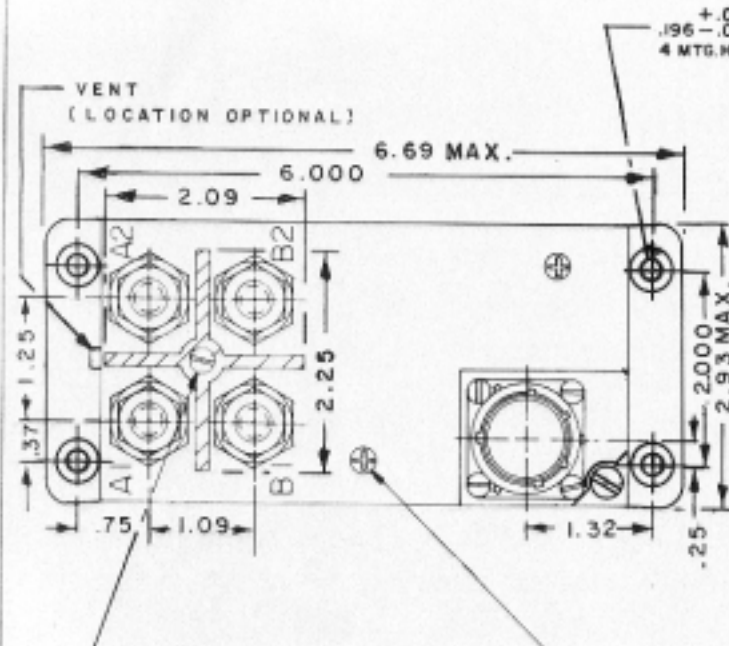


FAA/PMA

REV. L		REVISIONS 6-1-83	
SYM	DESCRIPTION	DATE	APPROVED
G	16668 REDRAWN, 4.38 WAS 4.25	11-3-83	J.D.
H	18903 WEIGHT WAS 5 LBS TO OZ.	10-30-87	RS
J	18372 NOTE 2 ADDED	5-6-88	RS
K	19427 4.44 MAX, WAS 4.38	8-24-88	RS
L	20775 ADDED PLATE ITEM 12	5-31-90	J.D.



**CONSTRUCTION**  
**MAIN CONTACTS**  
**CONFIGURATION**  
**VOLTAGE (NOMINAL)**  
**CURRENT: RES.**  
**INTRUSH**

**GASKET SEALED (VENTED)**  
**2PST N.O.**  
**28 VDC**  
**400 AMP**  
**1800 AMP (CARRY ONLY)**  
**1000 AMP 30SEC (CARRY ONLY)**  
**700 AMP 3 MIN**  
**4000 AMP**

**AUXILIARY CONTACTS**  
**CONFIGURATION**  
**VOLTAGE**  
**CURRENT:**

**INTERRUPT**  
**RES.**  
**IND.**

**6POT**  
**28 VDC**  
**5 AMP**  
**5 AMP**

**COIL DATA**

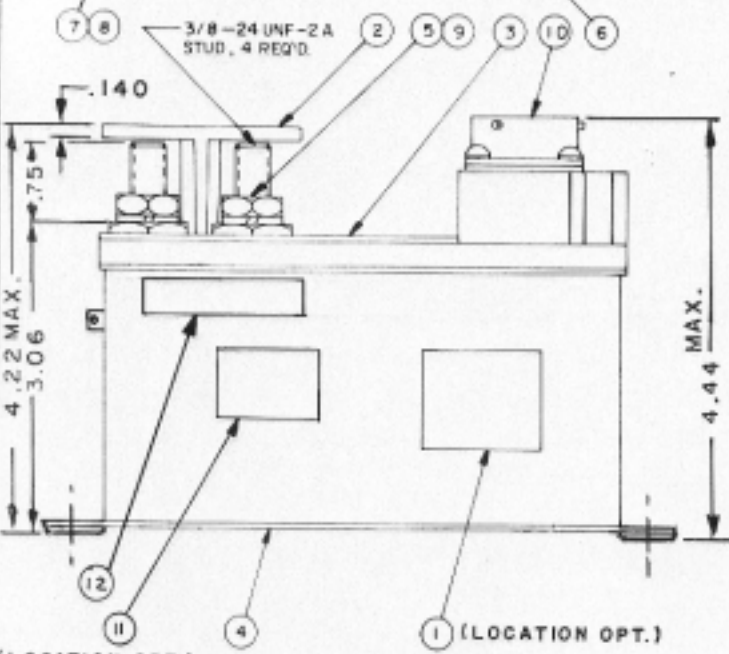
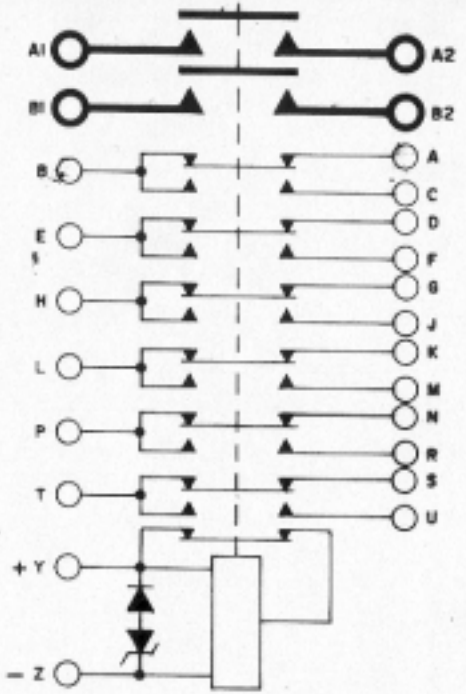
**CONTINUOUS (ECONOMIZING)**  
**32 VDC**  
**24 VDC**  
**18 VDC MAX.**  
**1.5 VOLTS TO 5 VOLTS**  
**17 OHM ± 20% AT 25°C**  
**72 OHM ± 20% AT 25°C**  
**35 MS MAX. PICKUP**  
**25 MS MAX. DROPOUT**  
**45V PEAK**

**DUTY CYCLE**  
**MAXIMUM OPERATE**  
**MINIMUM OPERATE**  
**PICKUP INITIAL, 25°C**  
**DROPOUT VOLTAGE**  
**RESISTANCE: INRUSH:**  
**HOLD**

**OPERATE TIME**

**-55°C TO +85°C**  
**50,000 OPERATIONS MINIMUM**  
**100,000 OPERATIONS MINIMUM**  
**3.75 LBS.**

**SUPPRESSION**  
**ENVIRONMENTAL DATA**  
**OPERATE TEMP.**  
**LIFE ELECTRICAL**  
**LIFE MECHANICAL**  
**WEIGHT MAX.**



**NOTES**

1. MINIMUM HOLD-IN VOLTAGE DURING ENGINE START 13 VDC.
2. THIS UNIT MEETS THE APPLICABLE PORTIONS OF MIL-R-6108.

QTY	DESCRIPTION	PART OR IDENTIFYING NO	ITEM NO
1	PLATE FAA/PMA	58400-069	12
1	PLATE - WARNING	17959-001	11
1	CONNECTOR - MS 3470L-18-26 P	52516-013	10
4	WASHER - LOCK 3/8 X .688 X .094 SP. BRZ.	51807-084	9
1	WASHER - LOCK NO. 6 SPLIT BRONZE	51806-011	8
1	SCREW 6-32 X 1 1/8 BD. HD.	51206-751	7
2	SCREW NO. 4 X 1/4 S.S.	51200-020	6
4	NUT 3/8-24 X 5/8 X 7/32 HEX, BRASS	50407-164	5
1	CONTACTOR ASSEMBLY - PRIMARY	38078-010	4
1	PLATE - BASE COVER	38050-001	3
1	SHIELD - TERMINAL	22466-001	2
1	PLATE - NAME	16052-001	1

UNLESS OTHERWISE SPECIFIED DIMENSIONS ARE IN INCHES TOLERANCES ON		REF CANADAIR		HARTMAN ELECTRICAL MANUFACTURING MANSFIELD, OHIO	
2 PL. DEC.	3 PL. DEC.	ANGLES			
± .06	± .010	± 1°			
MATERIAL		DR BY		R.E.S. 10-21-82	
B/C 3319		CHECKED		RS 10-21-82	
		ENGINEER		RP 10-21-82	
APPROVED		APPROVED		SIZE CODE IDENT NO	
				C 74063 A-1148B	
				SCALE 1/1 WEIGHT SHEET	

(LOCATION OPT.)

1 (LOCATION OPT.)